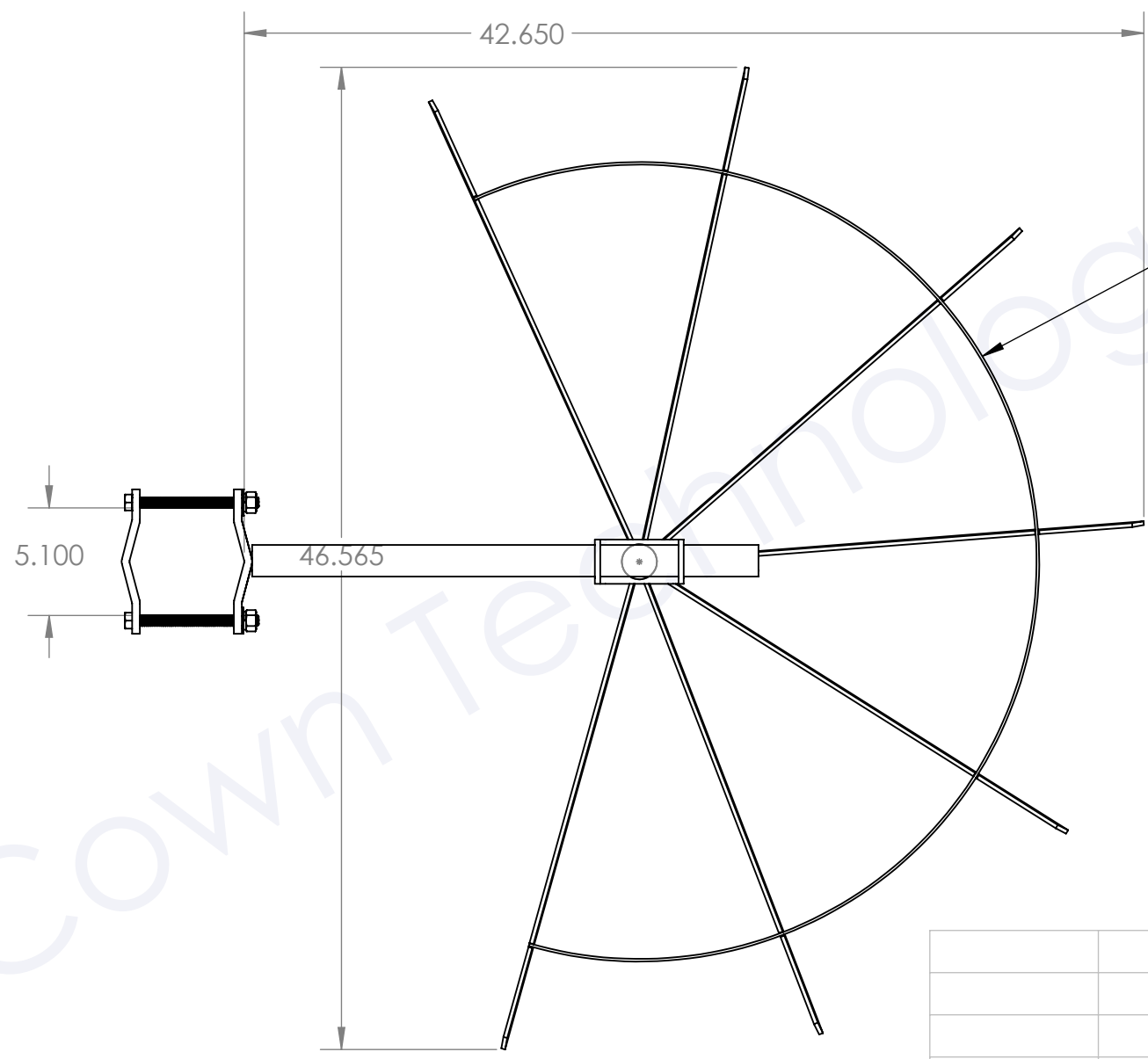
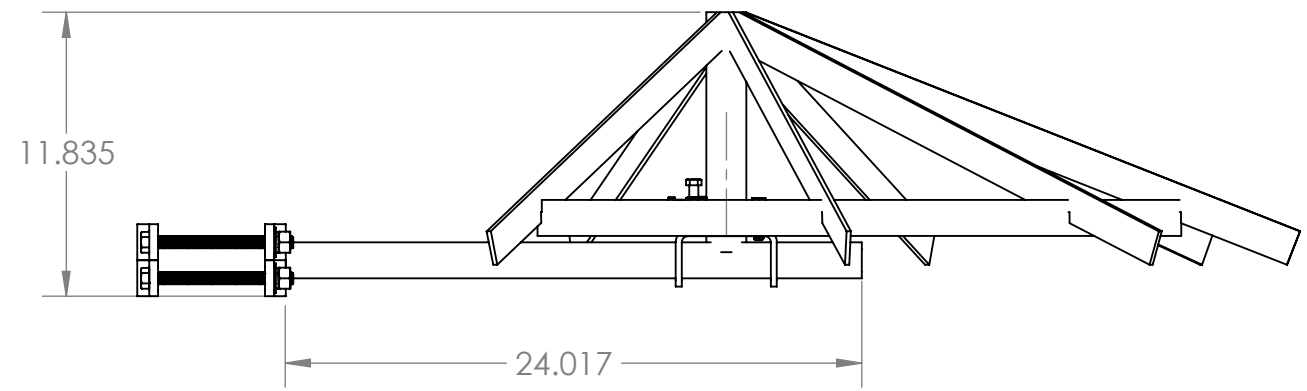


8 7 6 5 4 3 2 1

D
C
B
A



Mesh omitted for clarity

McCown Technology Corporation

PROPRIETARY AND CONFIDENTIAL
 THE INFORMATION CONTAINED IN THIS DRAWING IS THE SOLE PROPERTY OF MCCOWN TECHNOLOGY CORP. ANY REPRODUCTION IN PART OR AS A WHOLE WITHOUT THE WRITTEN PERMISSION OF MCCOWN TECHNOLOGY CORP IS PROHIBITED.

		UNLESS OTHERWISE SPECIFIED:		NAME	DATE
		DIMENSIONS ARE IN INCHES		DRAWN	cm
		TOLERANCES:		CHECKED	1/22/18
		FRACTIONAL ±		ENG APPR.	
		ANGULAR: MACH ± BEND ±		MFG APPR.	
		TWO PLACE DECIMAL ±		Q.A.	
		THREE PLACE DECIMAL ±		COMMENTS:	
		INTERPRET GEOMETRIC TOLERANCING PER:			
		MATERIAL			
		Carbon Steel			
NEXT ASSY		USED ON			
APPLICATION		DO NOT SCALE DRAWING			
		801-250-9503		8400 N Hwy 36 Lakepoint Utah 84074	
		mtc		mccowntech.com	
TITLE:					
SIZE	DWG. NO.	REV			
B	M-TOW-ICE-MESH				
SCALE: 1:16		WEIGHT: 47		SHEET 1 OF 1	