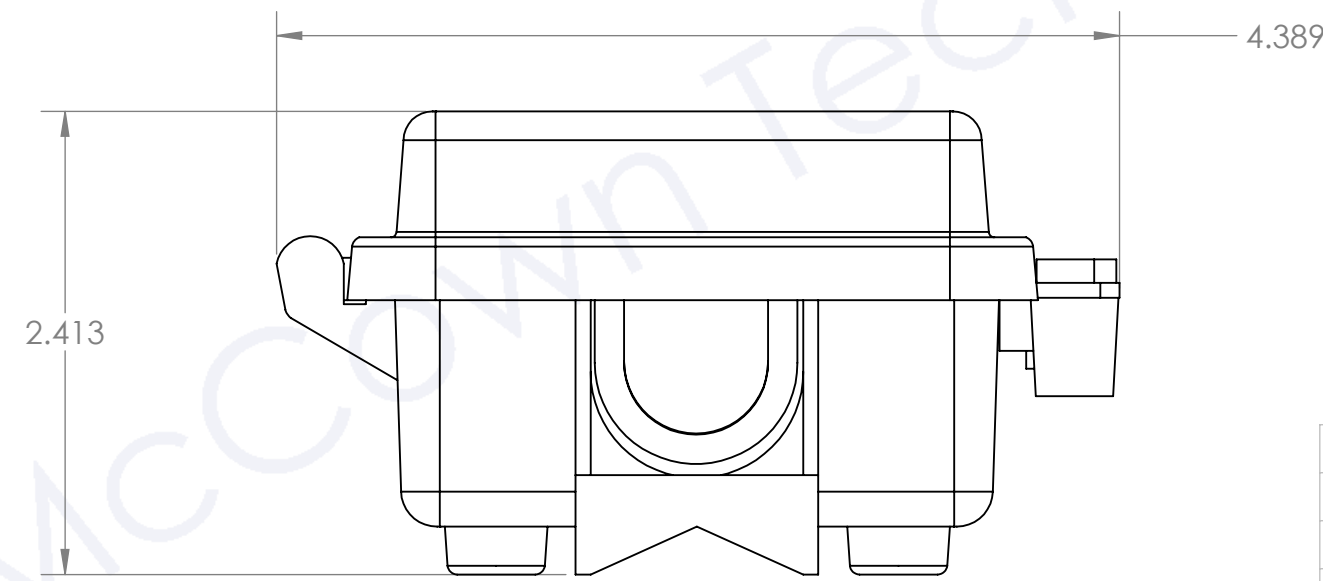
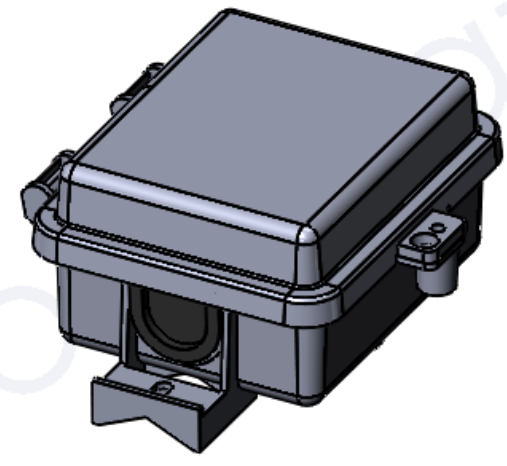
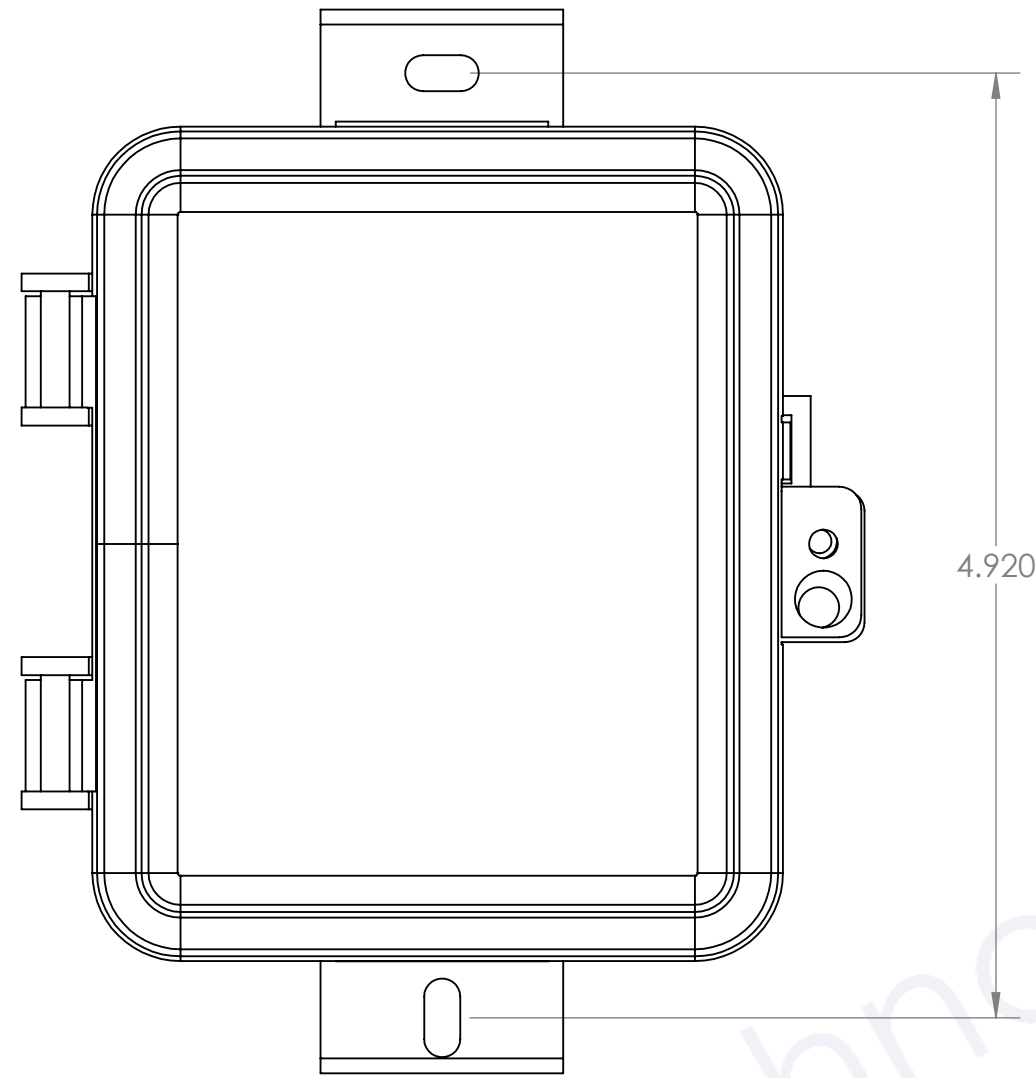


8 7 6 5 4 3 2 1

D  
C  
B  
A



**PROPRIETARY AND CONFIDENTIAL**  
 THE INFORMATION CONTAINED IN THIS DRAWING IS THE SOLE PROPERTY OF MCCOWN TECHNOLOGY CORP. ANY REPRODUCTION IN PART OR AS A WHOLE WITHOUT THE WRITTEN PERMISSION OF MCCOWN TECHNOLOGY CORP IS PROHIBITED.

		UNLESS OTHERWISE SPECIFIED:	NAME	DATE	801-250-9503	8400 N Hwy 36 Lakepoint Utah 84074
		DIMENSIONS ARE IN INCHES TOLERANCES: FRACTIONAL ± ANGULAR: MACH ± BEND ± TWO PLACE DECIMAL ± THREE PLACE DECIMAL ±	DRAWN			
		INTERPRET GEOMETRIC TOLERANCING PER:	CHECKED		TITLE: Small Case Closed	
		MATERIAL	ENG APPR.			
NEXT ASSY	USED ON	FINISH	MFG APPR.		SIZE DWG. NO. REV	
APPLICATION		DO NOT SCALE DRAWING	Q.A. COMMENTS: Reference dwg. All dims approx		SCALE: 1:2	WEIGHT:
					SHEET 1 OF 1	

8 7 6 5 4 3 2 1