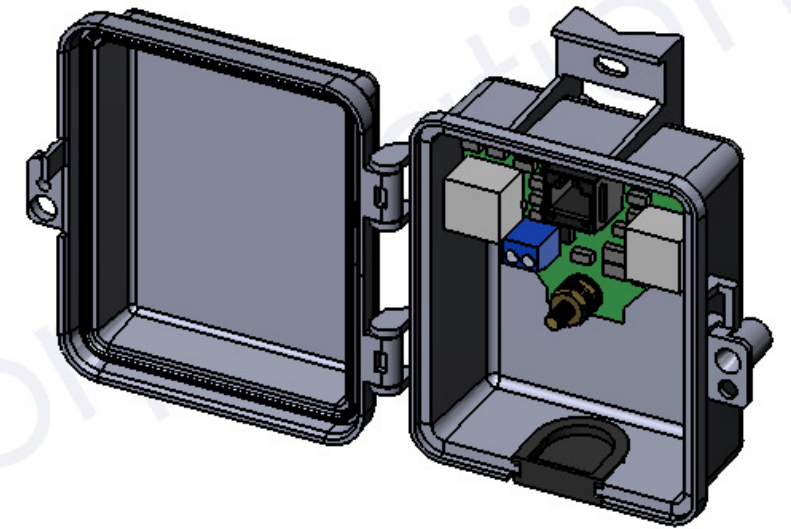
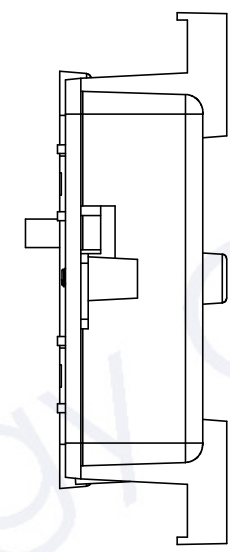
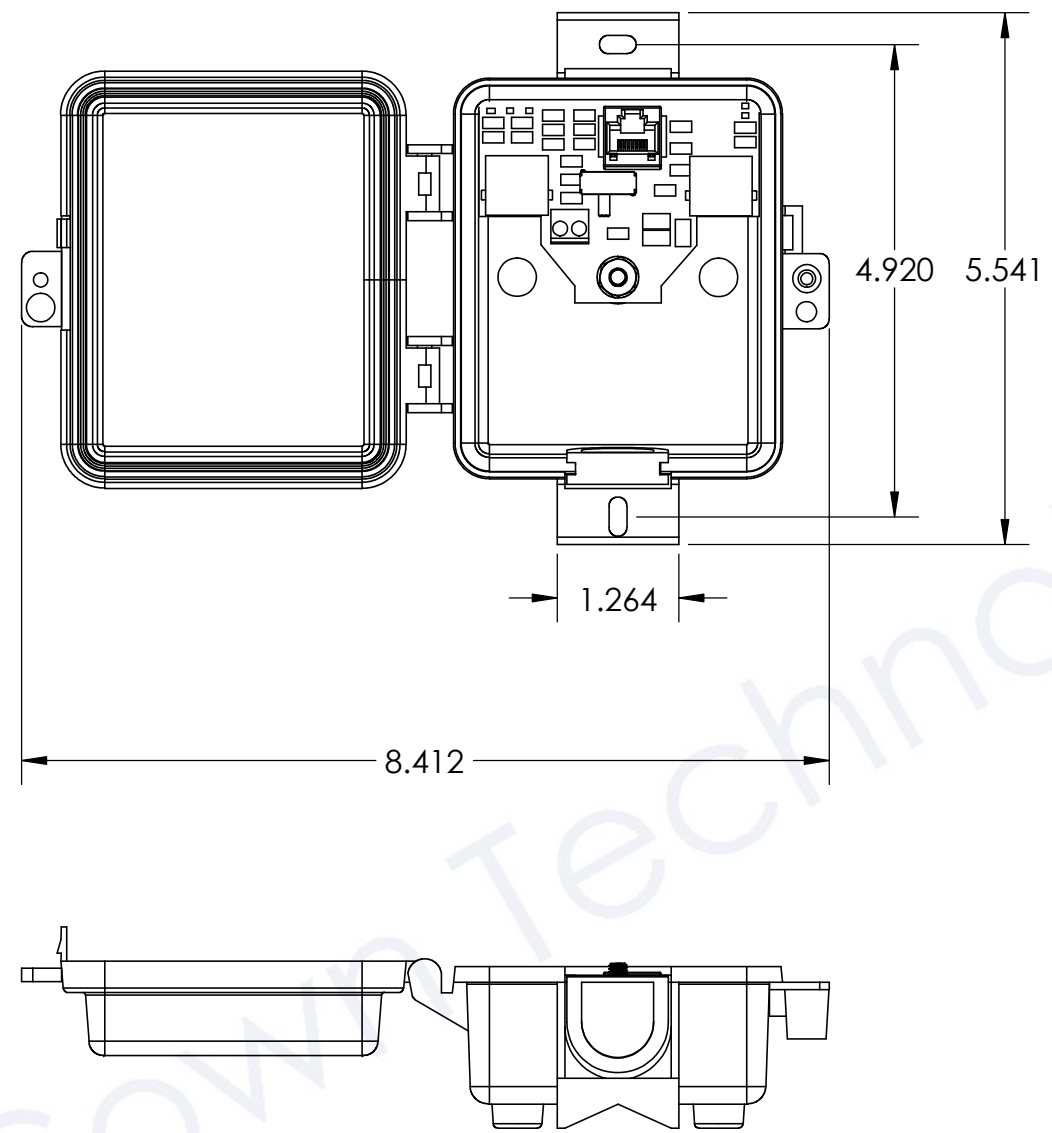


8 7 6 5 4 3 2 1

D
C
B
A



D
C
B
A

PROPRIETARY AND CONFIDENTIAL
 THE INFORMATION CONTAINED IN THIS DRAWING IS THE SOLE PROPERTY OF MCCOWN TECHNOLOGY CORP. ANY REPRODUCTION IN PART OR AS A WHOLE WITHOUT THE WRITTEN PERMISSION OF MCCOWN TECHNOLOGY CORP IS PROHIBITED.

		UNLESS OTHERWISE SPECIFIED:		NAME		DATE	
		DIMENSIONS ARE IN INCHES		DRAWN			
		TOLERANCES:		CHECKED			
		FRACTIONAL ±		ENG APPR.			
		ANGULAR: MACH ± BEND ±		MFG APPR.			
		TWO PLACE DECIMAL ±		Q.A.			
		THREE PLACE DECIMAL ±		COMMENTS:			
		INTERPRET GEOMETRIC TOLERANCING PER:		Ref dwg. All dims approx.			
		MATERIAL		SIZE		DWG. NO.	
		FINISH		B		444-SMT-B Complete - Open	
NEXT ASSY	USED ON	APPLICATION		SCALE: 1:2		WEIGHT:	
		DO NOT SCALE DRAWING				SHEET 1 OF 1	

801-250-9503  mccowntech.com 8400 N Hwy 36 Lakepoint Utah 84074

8 7 6 5 4 3 2 1