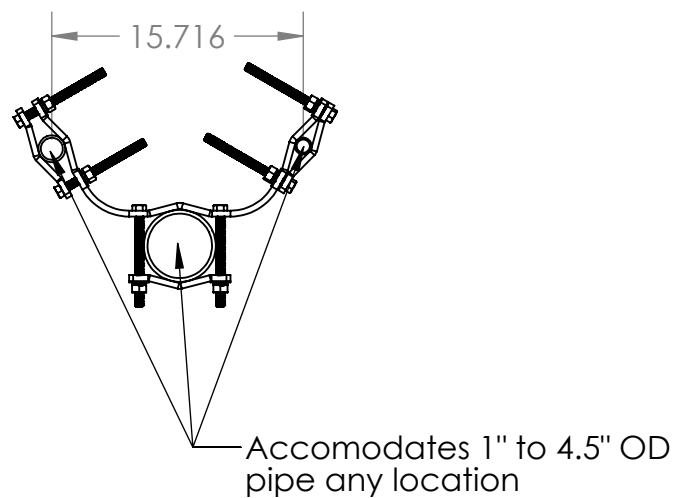
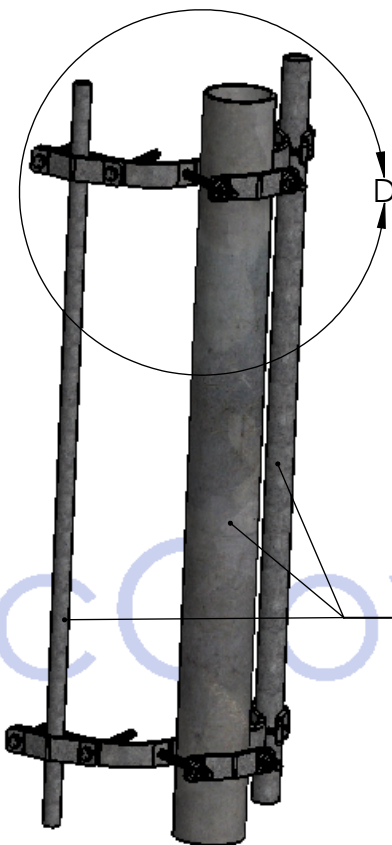


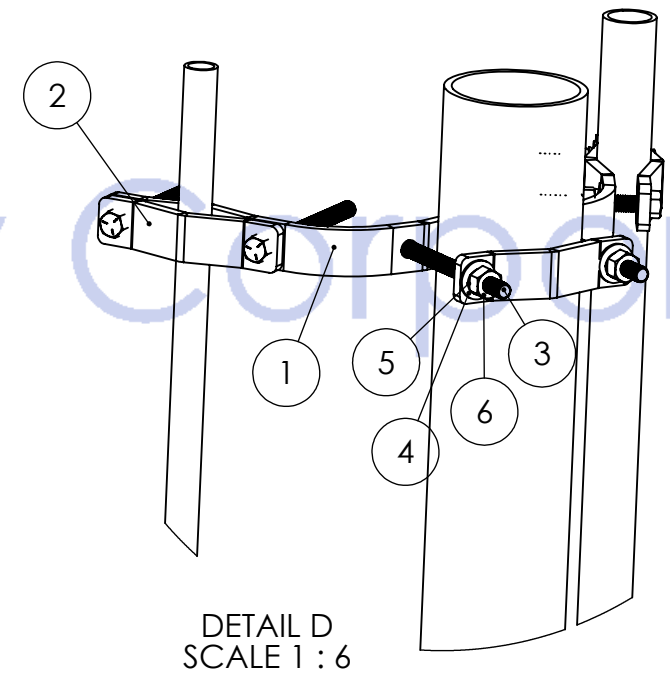
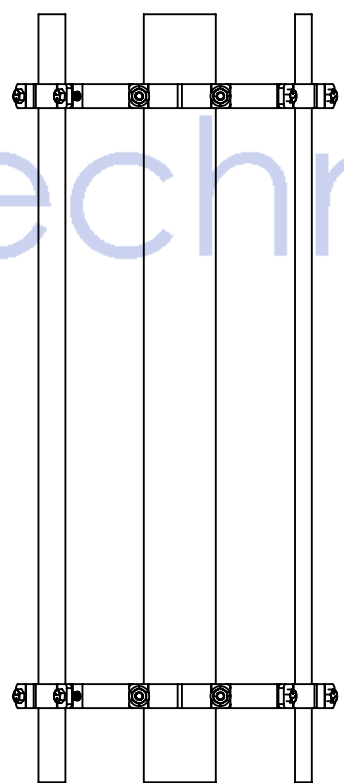
8 7 6 5 4 3 2 1

ITEM NO.	QTY.	PART NUMBER	DESCRIPTION
1	2	850-M-TOW-TRIPLE	Triple Pipe Mount Bar
2	6	850-M-TOW-FT	Clamp
3	12	.5-13-6 Hex Bolt	.5-13-6 Hex Tap Bolt
4	12	.5 Flat Washer Galv	.5 Flat Washer Galv
5	12	.5 Galv Lock Washer	.5 Galv Lock Washer
6	12	.5-13 Hex Nut	.5-13 Hex Nut Galv

D
C
B
A



Accommodates 1" to 4.5" OD pipe any location



DETAIL D
SCALE 1 : 6

McCown Technology Corporation

PROPRIETARY AND CONFIDENTIAL
THE INFORMATION CONTAINED IN THIS DRAWING IS THE SOLE PROPERTY OF MCCOWN TECHNOLOGY CORP. ANY REPRODUCTION IN PART OR AS A WHOLE WITHOUT THE WRITTEN PERMISSION OF MCCOWN TECHNOLOGY CORP IS PROHIBITED.

		UNLESS OTHERWISE SPECIFIED:		NAME	DATE
		DIMENSIONS ARE IN INCHES		DRAWN	CM
		TOLERANCES:		CHECKED	1/7/16
		FRACTIONAL ±		ENG APPR.	
		ANGULAR: MACH ± BEND ±		MFG APPR.	
		TWO PLACE DECIMAL ±		Q.A.	
		THREE PLACE DECIMAL ±		COMMENTS:	
		INTERPRET GEOMETRIC TOLERANCING PER:			
		MATERIAL			
NEXT ASSY	USED ON	FINISH		TITLE: Triple Clamp Assembly (pair)	
APPLICATION		DO NOT SCALE DRAWING		SIZE	DWG. NO.
				B	M-TOW-TRIPLE-DOUBLE-ASSY
				SCALE: 1:12	REV
				WEIGHT:	SHEET 1 OF 1

8 7 6 5 4 3 2 1