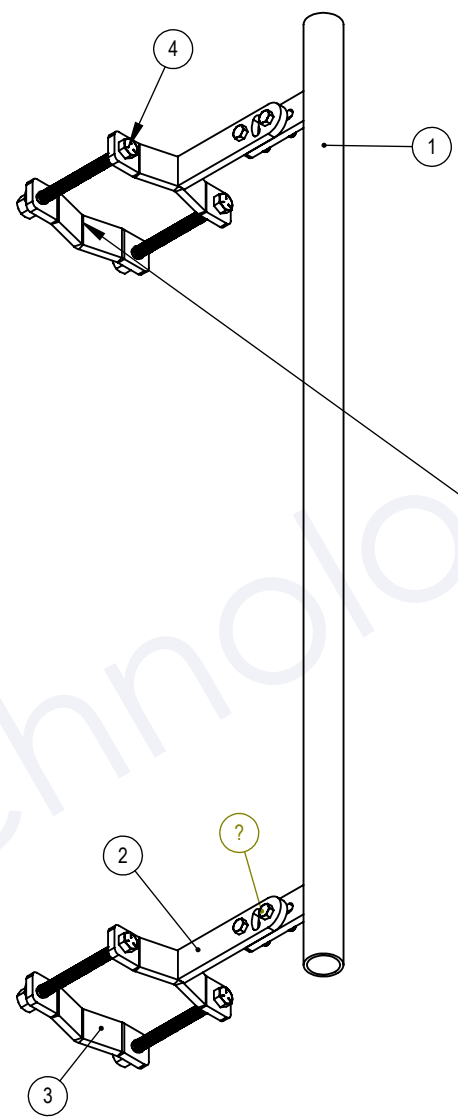
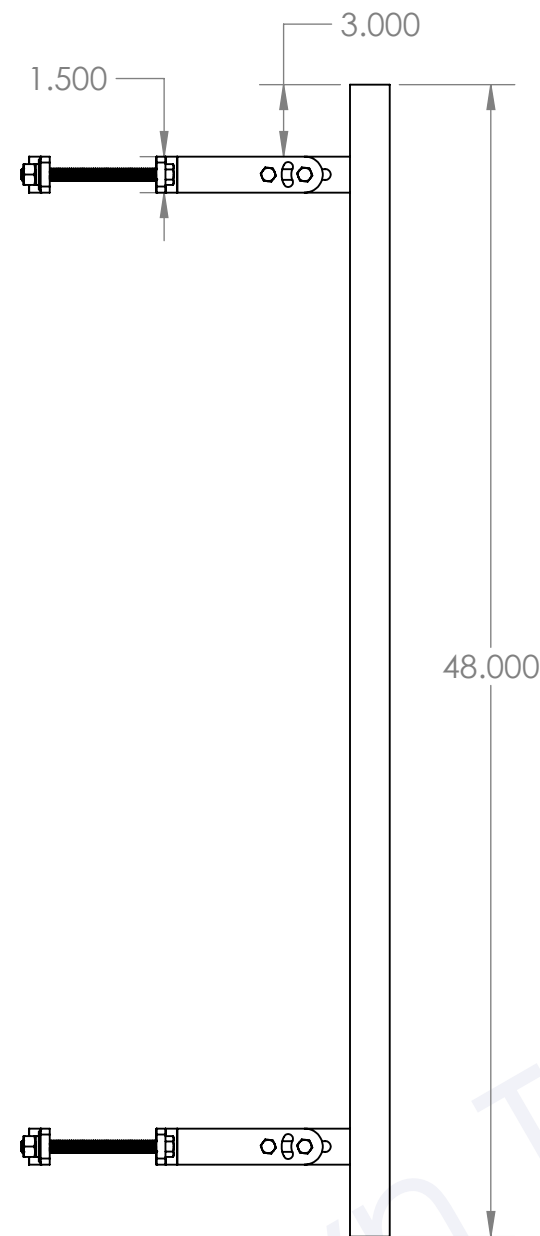
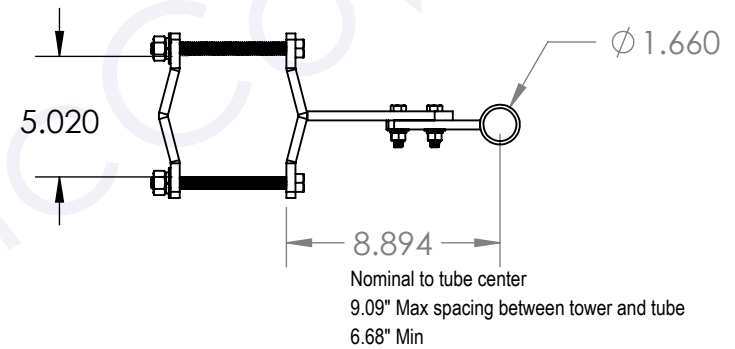



ITEM NO.	PART NUMBER	DESCRIPTION	QTY.
1	850-MTOW-P48	M-TOW-P-48 Pipe Assy	1
2	850-M-TOW-LSB	M-TOW Clamp and LSB Assy	2
3	850-M-TOW-FT Rev B	Clamp 5"	2
4	.5x 5.3 gap Bolt Stack	Same bolt assy as M-TOW	4
5	.375 x .755 gap Bolt Stack	.375 Bolt Stack	4



Will accomodate 1.25" to 5" mounting pipes and tower legs.



**PROPRIETARY AND CONFIDENTIAL**  
 THE INFORMATION CONTAINED IN THIS DRAWING IS THE SOLE PROPERTY OF MCCOWN TECHNOLOGY CORP. ANY REPRODUCTION IN PART OR AS A WHOLE WITHOUT THE WRITTEN PERMISSION OF MCCOWN TECHNOLOGY CORP IS PROHIBITED.

UNLESS OTHERWISE SPECIFIED:		NAME	DATE	801-250-9503  mccoawtech.com 8400 N Hwy 36 Lakepoint Utah 84074	
DIMENSIONS ARE IN INCHES		DRAWN	CM		1-30-17
TOLERANCES:		CHECKED			
FRACTIONAL $\pm$		ENG APPR.			
ANGULAR: MACH $\pm$ BEND $\pm$		MFG APPR.			
TWO PLACE DECIMAL $\pm$		Q.A.			
THREE PLACE DECIMAL $\pm$		COMMENTS:			
INTERPRET GEOMETRIC TOLERANCING PER:					
MATERIAL					
Carbon Steel					
FINISH					
Hot Dipped Galvanize					
NEXT ASSY	USED ON				
APPLICATION		DO NOT SCALE DRAWING			
TITLE:		M-TOW-P-48 Reference Drawing			
SIZE	DWG. NO.	REV			
<b>B</b>		B			
SCALE: 1:12		WEIGHT: 19 Lbs	SHEET 1 OF 1		