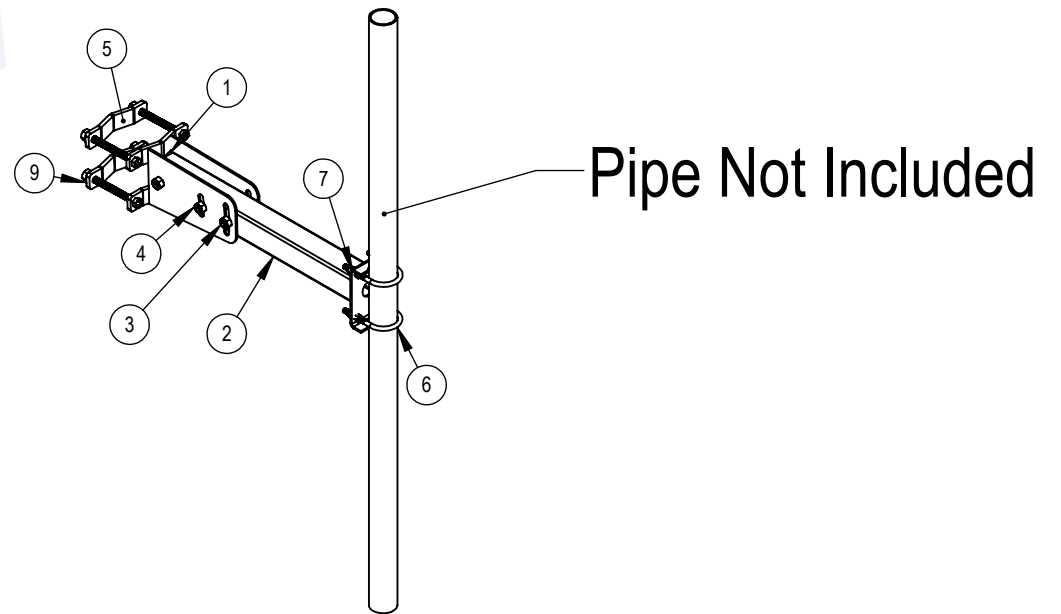
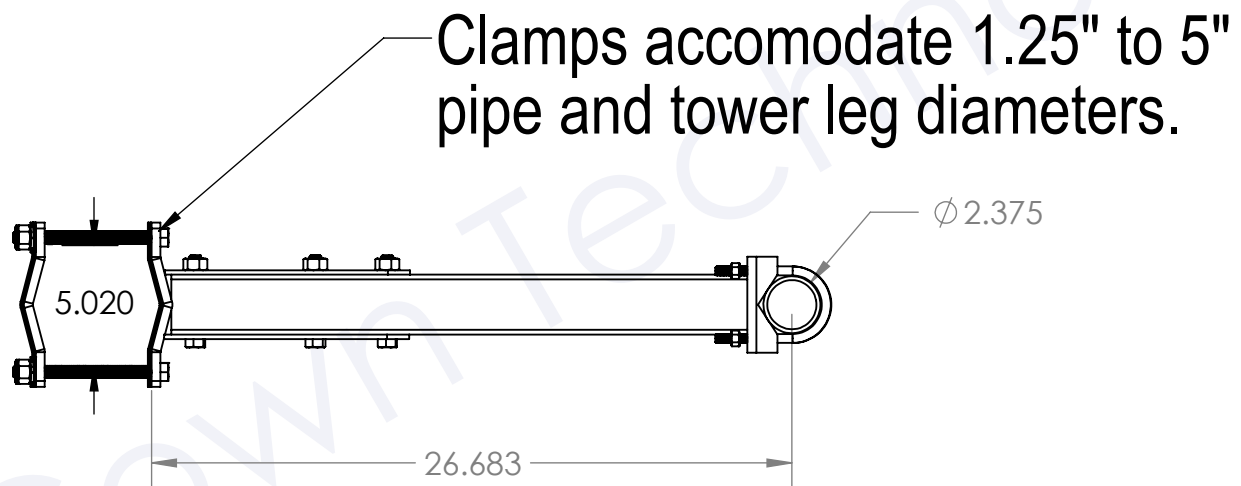
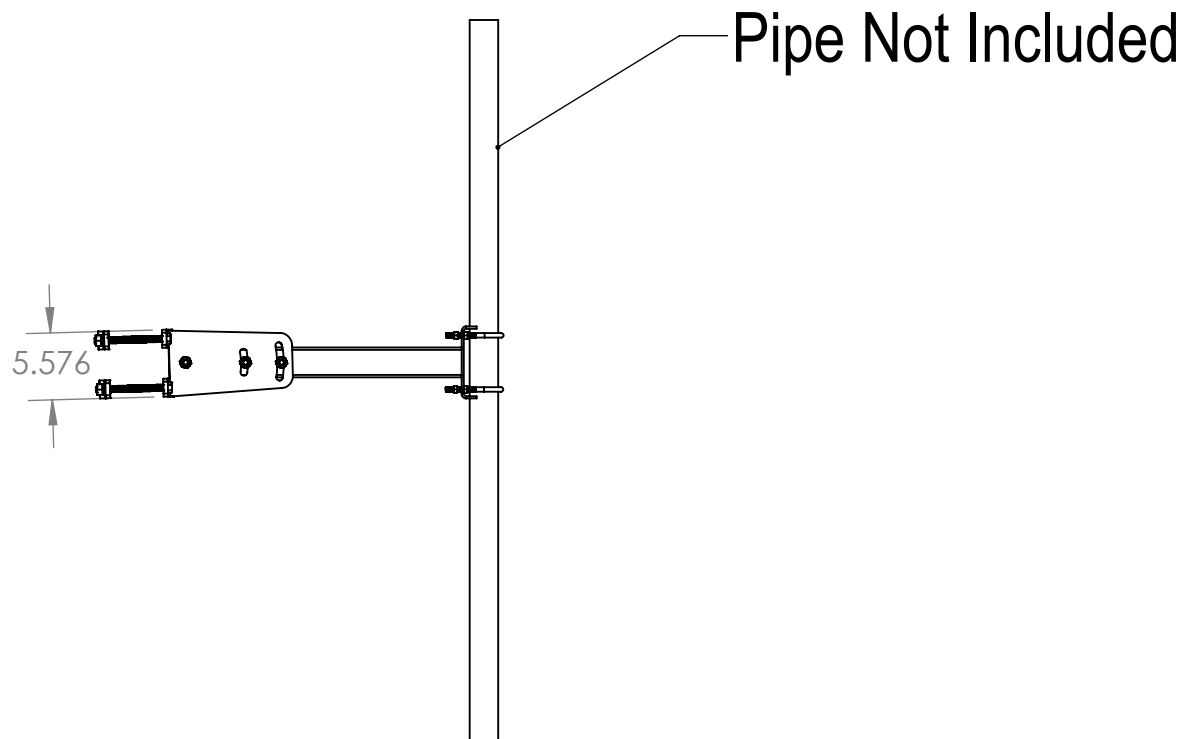



8 7 6 5 4 3 2 1

| ITEM NO. | PART NUMBER | DESCRIPTION | QTY. |
|----------|------------------------|-------------------------|------|
| 1 | Side Plate | | 2 |
| 2 | 2.5 Square Tube | | 1 |
| 3 | 91247A726 | | 3 |
| 4 | 91694A315 | | 3 |
| 5 | 850-M-TOW-FT Rev B | Clamp 5" | 2 |
| 6 | 8862T29 | | 2 |
| 7 | Side Arm End with hole | | 1 |
| 8 | 851-150-.375-TCLAMP | Clamp 5" | 2 |
| 9 | .5x 5.3 gap Bolt Stack | Same bolt assy as M-TOW | 4 |
| 10 | 6 ft 2 in sch 40 pipe | | 1 |



PROPRIETARY AND CONFIDENTIAL
 THE INFORMATION CONTAINED IN THIS DRAWING IS THE SOLE PROPERTY OF MCCOWN TECHNOLOGY CORP. ANY REPRODUCTION IN PART OR AS A WHOLE WITHOUT THE WRITTEN PERMISSION OF MCCOWN TECHNOLOGY CORP IS PROHIBITED.

| | | | | | |
|--------------------------------------|----------|--------------------------------------|--|--|--------|
| | | UNLESS OTHERWISE SPECIFIED: | | NAME | DATE |
| | | DIMENSIONS ARE IN INCHES | | DRAWN | CM |
| | | TOLERANCES: | | CHECKED | 2-1-17 |
| | | FRACTIONAL ± | | ENG APPR. | |
| | | ANGULAR: MACH ± BEND ± | | MFG APPR. | |
| | | TWO PLACE DECIMAL ± | | Q.A. | |
| | | THREE PLACE DECIMAL ± | | COMMENTS: | |
| | | INTERPRET GEOMETRIC TOLERANCING PER: | | | |
| | | MATERIAL | | | |
| | | Carbon Steel | | | |
| | | FINISH | | | |
| | | Hot Dipped Galvanize | | | |
| NEXT ASSY | USED ON | | | | |
| APPLICATION | | DO NOT SCALE DRAWING | | | |
| | | 801-250-9503 | |  mccoventech.com 8400 N Hwy 36 Lakepoint Utah 84074 | |
| TITLE: M-TOW-SA-24 Reference Drawing | | | | | |
| SIZE | DWG. NO. | | | REV | |
| B | | | | B | |
| SCALE: 1:16 | | WEIGHT: 7# | | SHEET 1 OF 1 | |

8 7 6 5 4 3 2 1