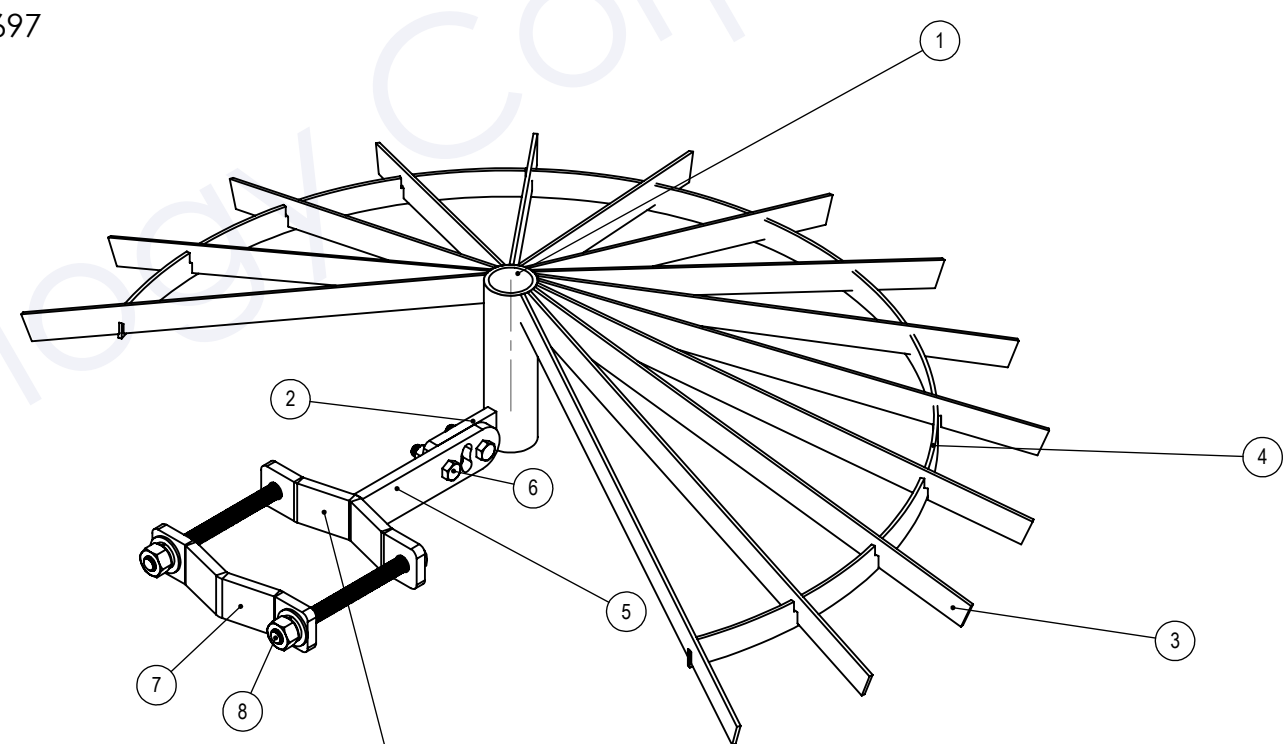
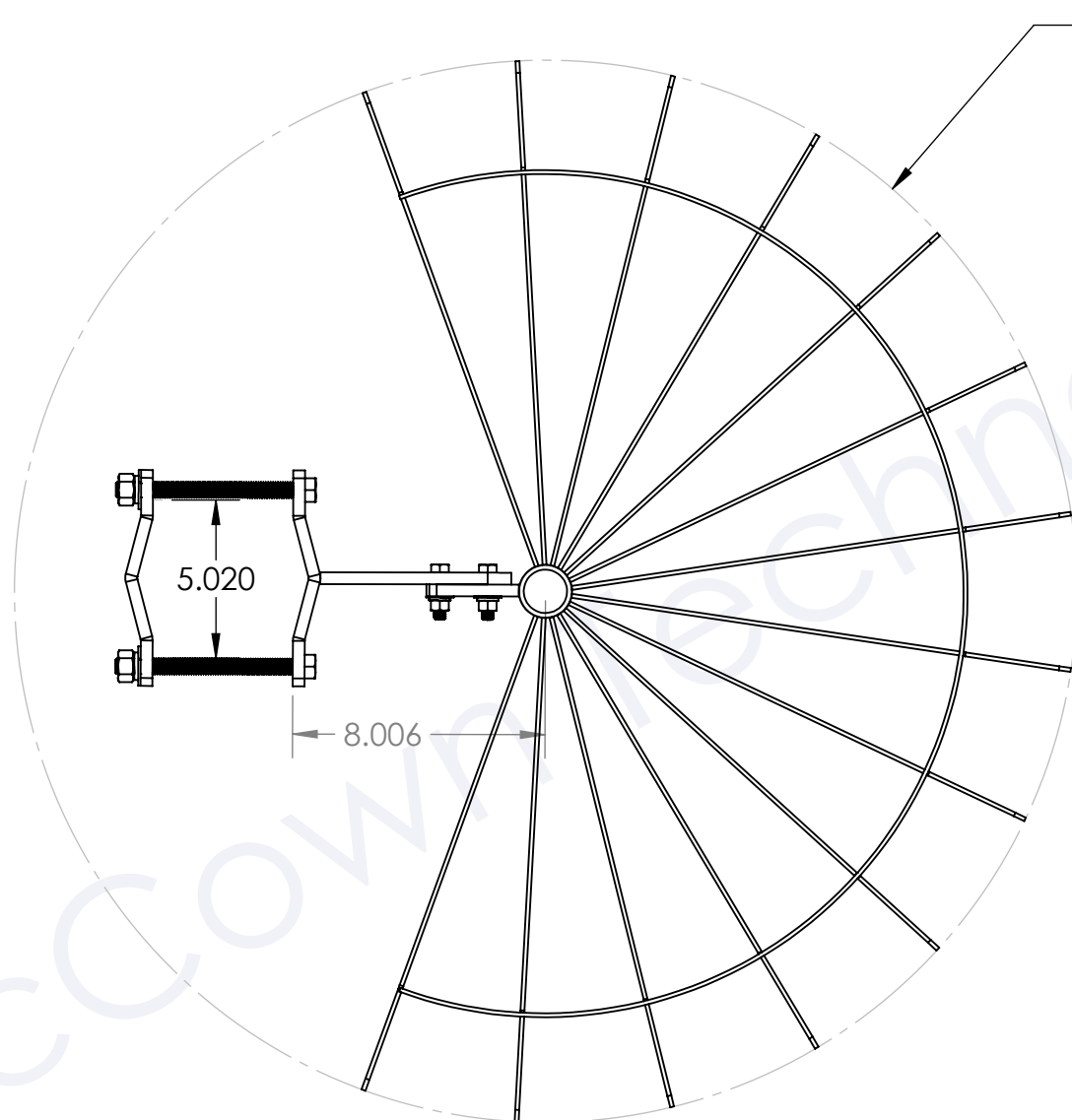


ITEM NO.	PART NUMBER	DESCRIPTION	QTY.
1	1.25 x 6 pipe	1.66 OD Pipe	1
2	851-150-.375-SF	Short F Bar	1
3	Skirt	Skirt Bars	1
4	Hoop	Hoop Band	1
5	850-M-TOW-LSB	M-TOW Clamp and LSB Assy	1
6	.375 x .755 gap Bolt Stack	.375 Bolt Stack	2
7	850-M-TOW-FT Rev B	Clamp 5"	1
8	.5x 5.3 gap Bolt Stack	Same bolt assy as M-TOW	2



Clamp will accomodate 1.25" to 5" pipes and tower legs.

PROPRIETARY AND CONFIDENTIAL
 THE INFORMATION CONTAINED IN THIS DRAWING IS THE SOLE PROPERTY OF MCCOWN TECHNOLOGY CORP. ANY REPRODUCTION IN PART OR AS A WHOLE WITHOUT THE WRITTEN PERMISSION OF MCCOWN TECHNOLOGY CORP IS PROHIBITED.

UNLESS OTHERWISE SPECIFIED:		NAME	DATE
DIMENSIONS ARE IN INCHES		DRAWN	CM
TOLERANCES:		CHECKED	2-1-17
FRACTIONAL ±		ENG APPR.	
ANGULAR: MACH ±		MFG APPR.	
BEND ±		Q.A.	
TWO PLACE DECIMAL ±		COMMENTS:	
THREE PLACE DECIMAL ±			
INTERPRET GEOMETRIC TOLERANCING PER:		TITLE: M-TOW-ICE Reference Drawing	
MATERIAL		SIZE DWG. NO. REV	
Carbon Steel		B	
FINISH		SCALE: 1:12 WEIGHT: 16# SHEET 1 OF 1	
Hot Dipped Galvanize			
NEXT ASSY	USED ON	APPLICATION	
		DO NOT SCALE DRAWING	

801-250-9503

 mccoentech.com
 8400 N Hwy 36
 Lakepoint Utah 84074