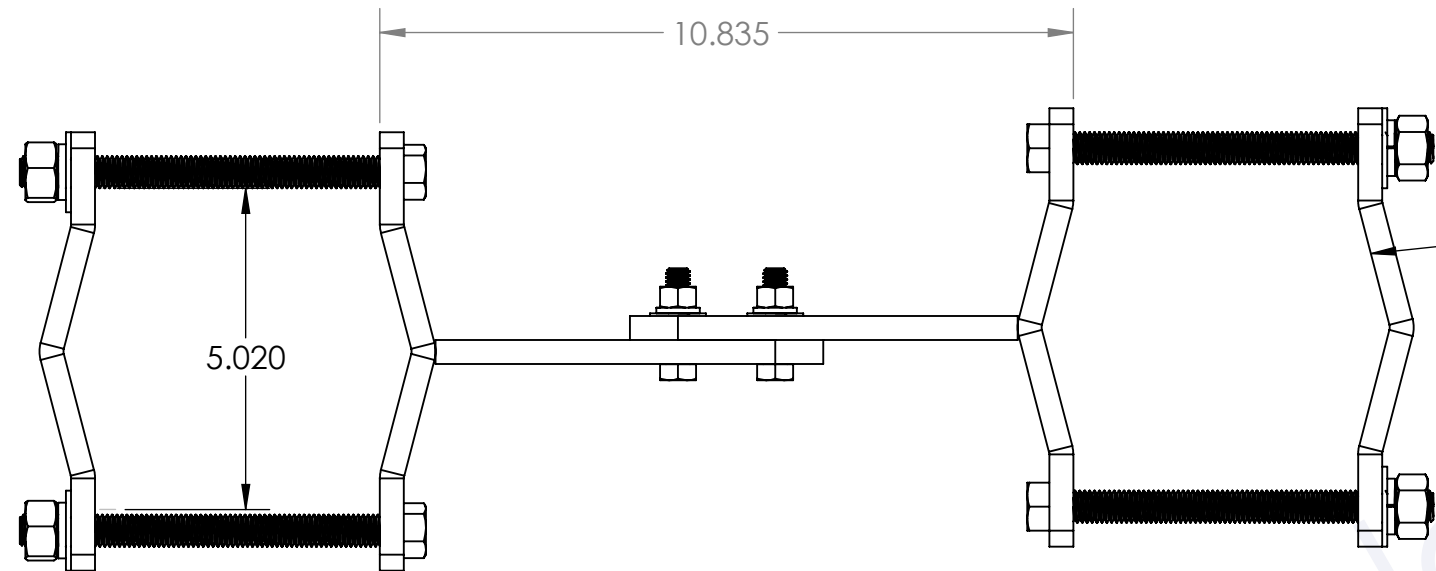
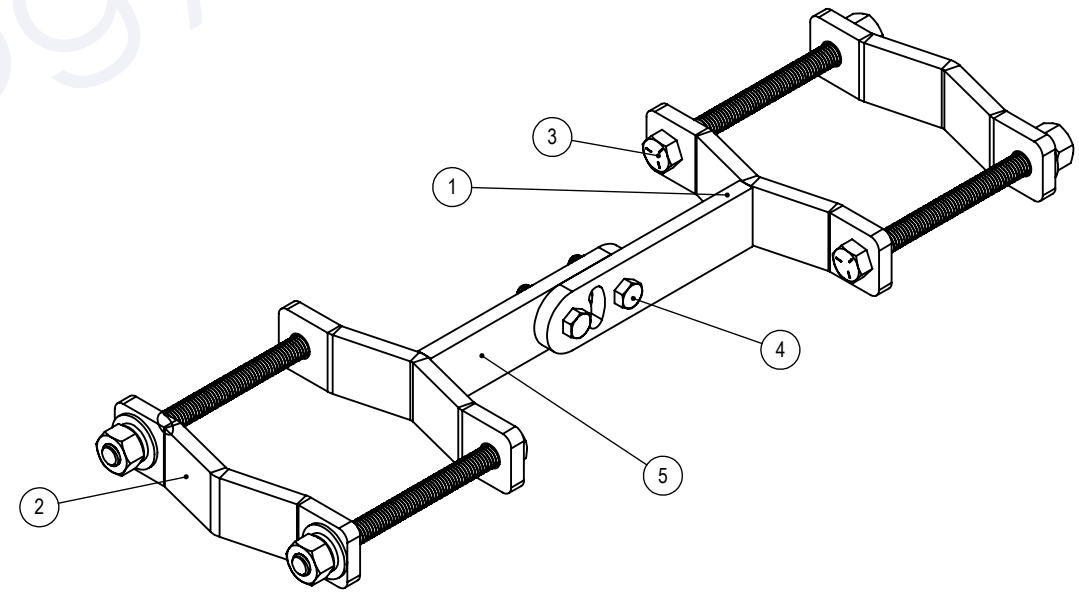


8 7 6 5 4 3 2 1

ITEM NO.	PART NUMBER	DESCRIPTION	QTY.
1	850-M-TOW-LSB	M-TOW Clamp and LSB Assy	1
2	850-M-TOW-FT Rev B	Clamp 5"	2
3	.5x 5.3 gap Bolt Stack	Same bolt assy as M-TOW	4
4	.375 x .755 gap Bolt Stack	.375 Bolt Stack	2
5	850-M-TOW-LFB	800-M-TOW-LFB Assy	1



Clamp accomodates 1.25" to 5" pipe and tower leg diameters.



McCown Technology

PROPRIETARY AND CONFIDENTIAL
 THE INFORMATION CONTAINED IN THIS DRAWING IS THE SOLE PROPERTY OF MCCOWN TECHNOLOGY CORP. ANY REPRODUCTION IN PART OR AS A WHOLE WITHOUT THE WRITTEN PERMISSION OF MCCOWN TECHNOLOGY CORP IS PROHIBITED.

		UNLESS OTHERWISE SPECIFIED:		NAME		DATE		801-250-9503 8400 N Hwy 36 Lakepoint Utah 84074
		DIMENSIONS ARE IN INCHES		DRAWN	CM	1-30-17		
		TOLERANCES:		CHECKED				
		FRACTIONAL ±		ENG APPR.				
		ANGULAR: MACH ± BEND ±		MFG APPR.				
		TWO PLACE DECIMAL ±		Q.A.				
		THREE PLACE DECIMAL ±		COMMENTS:				
		INTERPRET GEOMETRIC TOLERANCING PER:						
		MATERIAL						
		Carbon Steel						
		FINISH						
		Hot Dipped Galvanize						
NEXT ASSY	USED ON							
APPLICATION		DO NOT SCALE DRAWING						
				TITLE:		M-TOW-D Reference Drawing		
SIZE		DWG. NO.		REV				
B				B				
SCALE: 1:4		WEIGHT: g#		SHEET 1 OF 1				

8 7 6 5 4 3 2 1