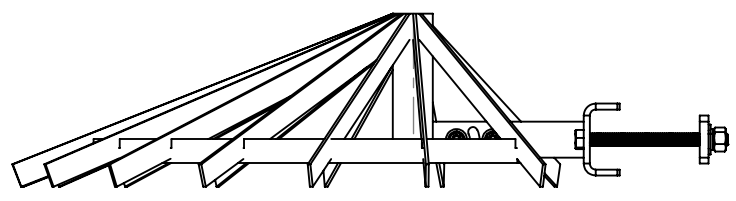
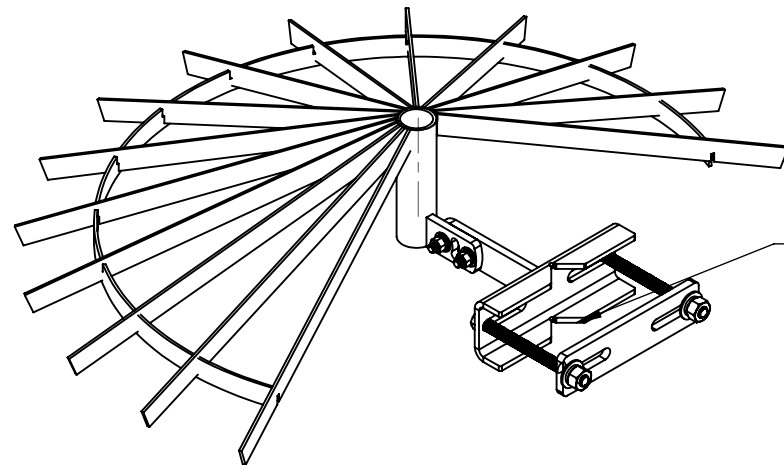
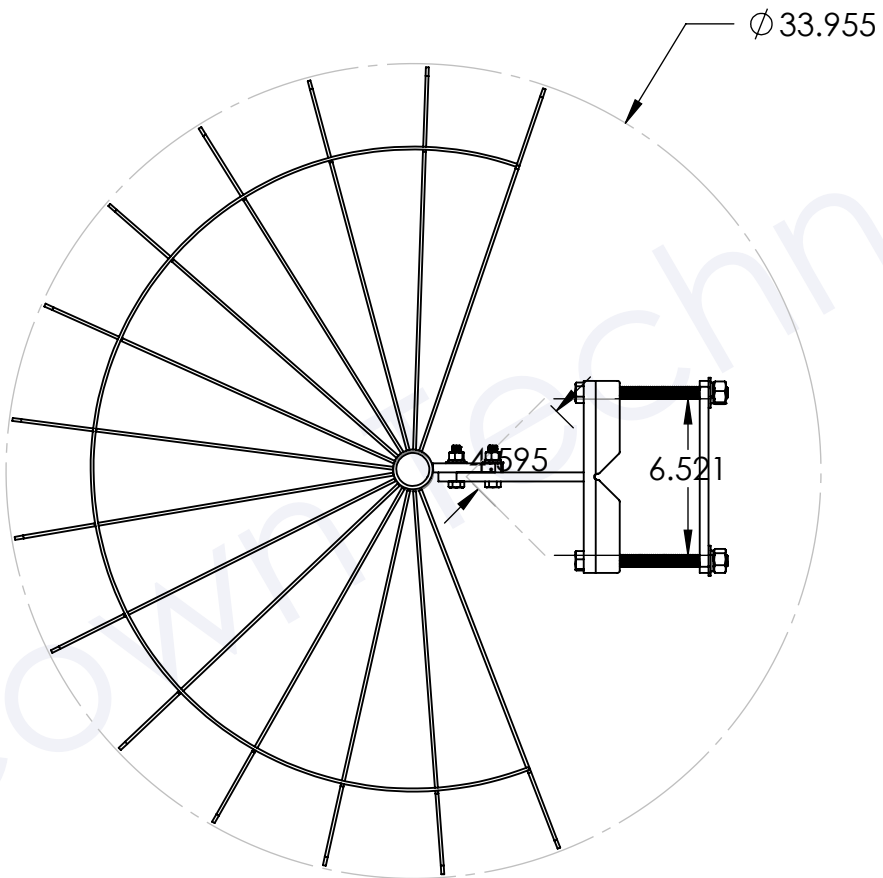


8 7 6 5 4 3 2 1

D
C
B
A




ITEM NO.	PART NUMBER	DESCRIPTION	QTY.
1	1.25 x 6 pipe	1.66 OD Pipe	1
2	851-150-.375-SF	Short F Bar	1
3	Assem1^M-TOW-ANGLE-ICE		1
4	.375 x .755 gap Bolt Stack	.375 Bolt Stack	2
5	850-M-TOW-AV4-CLAMP		1
6	850-M-TOW-ANGLE-B-CLAMP		1
7	.5x 5.3 gap Bolt Stack	Same bolt assy as M-TOW	2



Accommodates up to 4" angle iron tower legs

PROPRIETARY AND CONFIDENTIAL
 THE INFORMATION CONTAINED IN THIS DRAWING IS THE SOLE PROPERTY OF MCCOWN TECHNOLOGY CORP. ANY REPRODUCTION IN PART OR AS A WHOLE WITHOUT THE WRITTEN PERMISSION OF MCCOWN TECHNOLOGY CORP IS PROHIBITED.

		UNLESS OTHERWISE SPECIFIED:	NAME	DATE	 801-250-9503 mccoentech.com 8400 N Hwy 36 Lakepoint Utah 84074	
		DIMENSIONS ARE IN INCHES	DRAWN	CM		2-1-17
		TOLERANCES:	CHECKED			
		FRACTIONAL ±	ENG APPR.			
		ANGULAR: MACH ± BEND ±	MFG APPR.			
		TWO PLACE DECIMAL ±	Q.A.			
		THREE PLACE DECIMAL ±	COMMENTS:			
		INTERPRET GEOMETRIC TOLERANCING PER:				
		MATERIAL				
		Carbon Steel				
		FINISH				
		Hot Dipped Galvanize				
NEXT ASSY	USED ON	APPLICATION				
		DO NOT SCALE DRAWING				
		TITLE:		M-TOW-ANGLE-ICE Reference Drawing		
SIZE	DWG. NO.	REV				
B		A				
SCALE: 1:12		WEIGHT: 18	SHEET 1 OF 1			

8 7 6 5 4 3 2 1