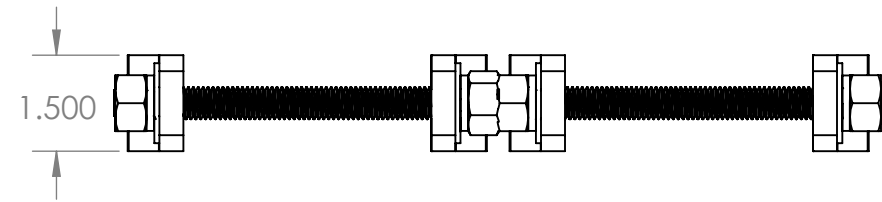
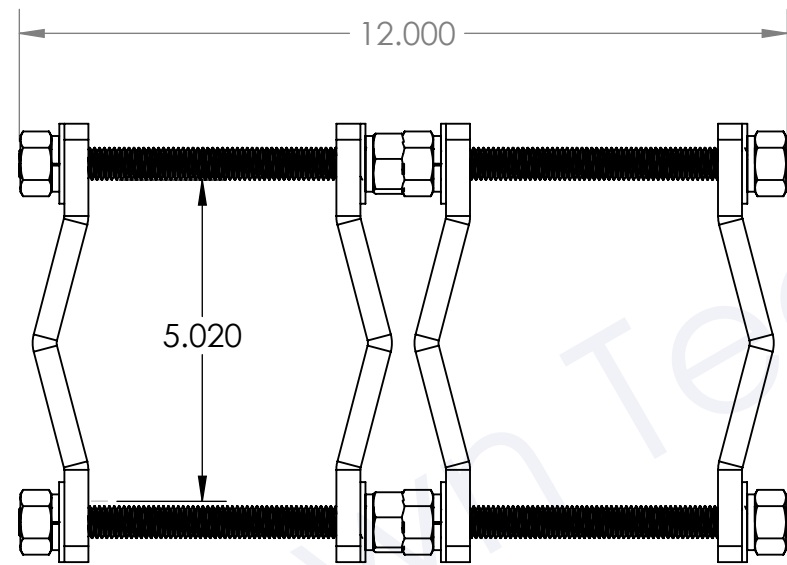
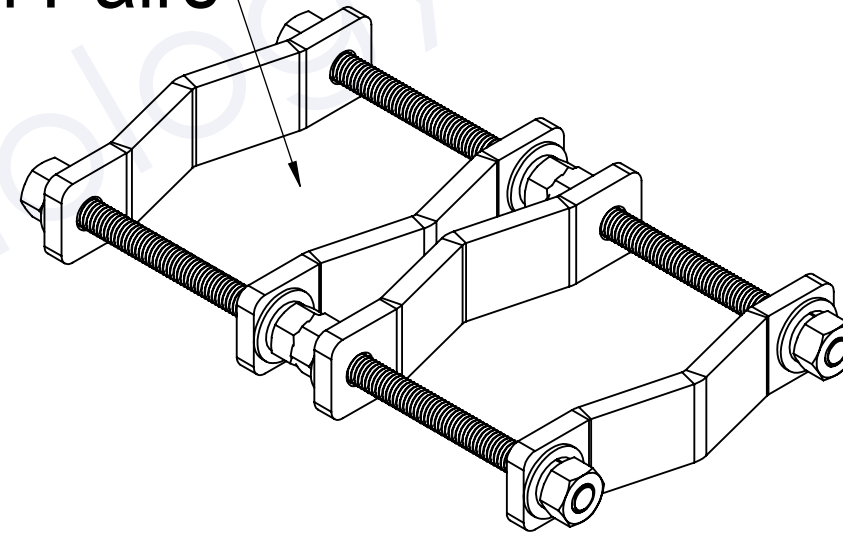


ITEM NO.	PART NUMBER	DESCRIPTION	QTY.
1	850-M-TOW-FT Rev B	Clamp 5"	4
2	All Thread Stack	All thread nut stack assembly	2




Fits 1.25"-5" pipes and tower legs

Sold In Pairs



**PROPRIETARY AND CONFIDENTIAL**  
 THE INFORMATION CONTAINED IN THIS DRAWING IS THE SOLE PROPERTY OF MCCOWN TECHNOLOGY CORP. ANY REPRODUCTION IN PART OR AS A WHOLE WITHOUT THE WRITTEN PERMISSION OF MCCOWN TECHNOLOGY CORP IS PROHIBITED.

		UNLESS OTHERWISE SPECIFIED:		NAME	DATE	 8400 N Hwy 36 Lakepoint Utah 84074	
		DIMENSIONS ARE IN INCHES		DRAWN	CM		1-30-17
		TOLERANCES:		CHECKED			
		FRACTIONAL ±		ENG APPR.			
		ANGULAR: MACH ± BEND ±		MFG APPR.			
		TWO PLACE DECIMAL ±		Q.A.			
		THREE PLACE DECIMAL ±		COMMENTS:			
		INTERPRET GEOMETRIC TOLERANCING PER:				TITLE: M-TOW-A Reference Drawing	
		MATERIAL				SIZE <b>B</b>	
		Carbon Steel				DWG. NO.	
		FINISH				REV B	
		Hot Dipped Galvanized				SCALE: 1:4	
NEXT ASSY	USED ON	APPLICATION				WEIGHT: 7#	
		DO NOT SCALE DRAWING				SHEET 1 OF 1	